



 **BEVOLA**

JANUARY 2021

TEMA-COUPPLINGS

Hydraulic - snap couplings



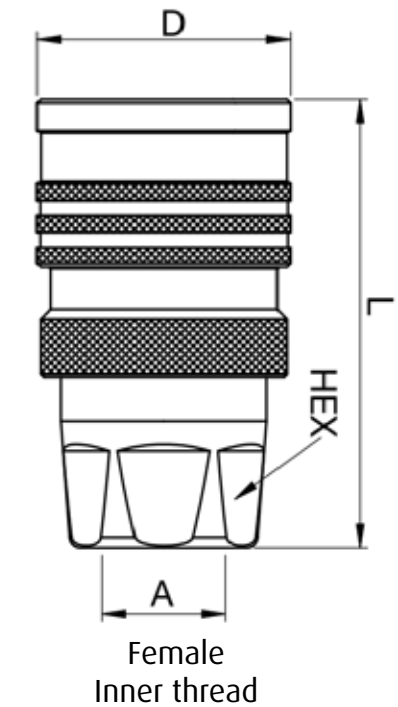
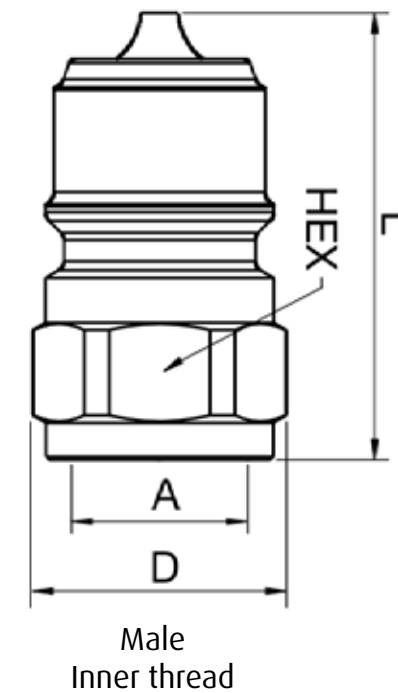
TEMA-COUPLINGS

STANDARD T-SERIES

TEMA Standard series

The couplings are known for low pressure drop and good flow.

The Tema-coupling is known to most as the most used snap coupling in our market. A smart design with good quality.



TECHNICAL SPECIFICATIONS

- Working temperature: -30° C to 200° C
- Maximum working pressure: Opp til 450 bar
- Packaging material: NBR (Nitrile rubber)

Withstands oils, chemical bags, water and steam.



Art. no.	Size	Male / Female	D (mm)	L (mm)	Hex (mm)	A	Working pressure (Bar)	Parker nr.
734574	1/4"	Female	25	64	21	G 1/4	450	2510-QC
734575	1/4"	Male	21	45	19	G 1/4	450	2520
646003	3/8"	Female	34	60	24	G 3/8	350	3810
647044	3/8"	Male	34	42	22	G 3/8	350	3820
647040	1/2"	Female	40	65	30	G 1/2	300	5010
647046	1/2"	Male	30	46	27	G 1/2	320	5020
647042	3/4"	Female	52	73	38	G 3/4	280	7510
647048	3/4"	Male	39	52	36	G 3/4	300	7520-QC
647039	1"	Female	62	88	45	G 1	250	10010
647050	1"	Male	49	60	46	G 1	280	10020



Dust caps can be found on the last page.

TEMA-COUPLINGS

"ELIMINATOR"

ELIMINATOR

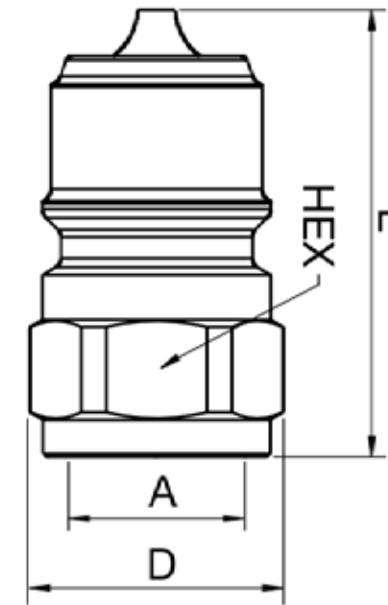
You also get the T-series with eliminator. These couplings are specially designed to equalize residual pressure in the hydraulic system.

This way you get a completely unproblematic connection on/off coupling.

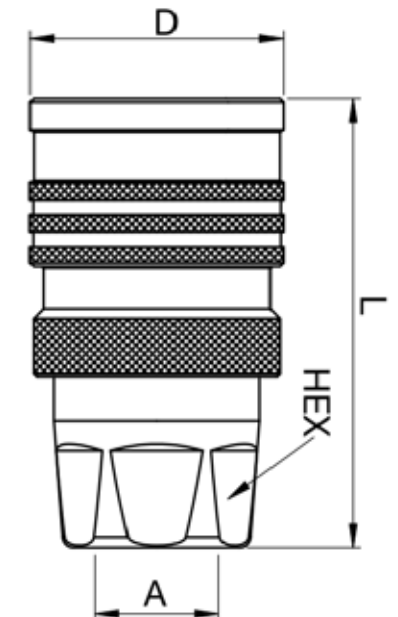
This feature also reduces oil spills.

All couplings are suitable for most purposes.

If you connect/disconnect a lot, you should select a coupling with an eliminator function. This provides an easier everyday life for the operator.



Male
Inner thread



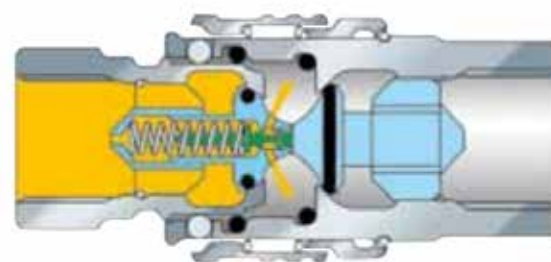
Female
Inner thread

Art. no.	Size	Male/ Female	D (mm)	L (mm)	Hex (mm)	A	Working pressure (Bar)	Parker no.
647020	3/8"	Male	24	43	22	G 3/8	350	3821
647021	3/8"	Female	34	60	24	G 3/8	350	3811
647018	1/2"	Female	40	65	30	G 1/2	300	5011
647019	1/2"	Male	30	47	27	G 1/2	320	5021-QC
647001	3/4"	Female	52	72	38	G 3/4	280	7511
647002	3/4"	Male	39	53	36	G 3/4	300	7521-QC
647003	1"	Female	62	88	45	G 1	250	10011-QC
647004	1"	Male	49	61	46	G 1	280	10021
647026	1 1/2"	Male	67	107	60	G 1 1/2	200	15021
647027	1 1/2"	Female	73	112	60	G 1 1/2	200	15011-QC

Press "Eliminator"

Residual pressure in the hydraulic system can make it impossible to connect and disconnect. A specially developed valve design in the eliminator series automatically compensates for any residual pressure. This guarantees a trouble-free connection/disconnection.

A built-in micro valve makes this connection unique.



Dust caps can be found on the last page.

FLATFACE

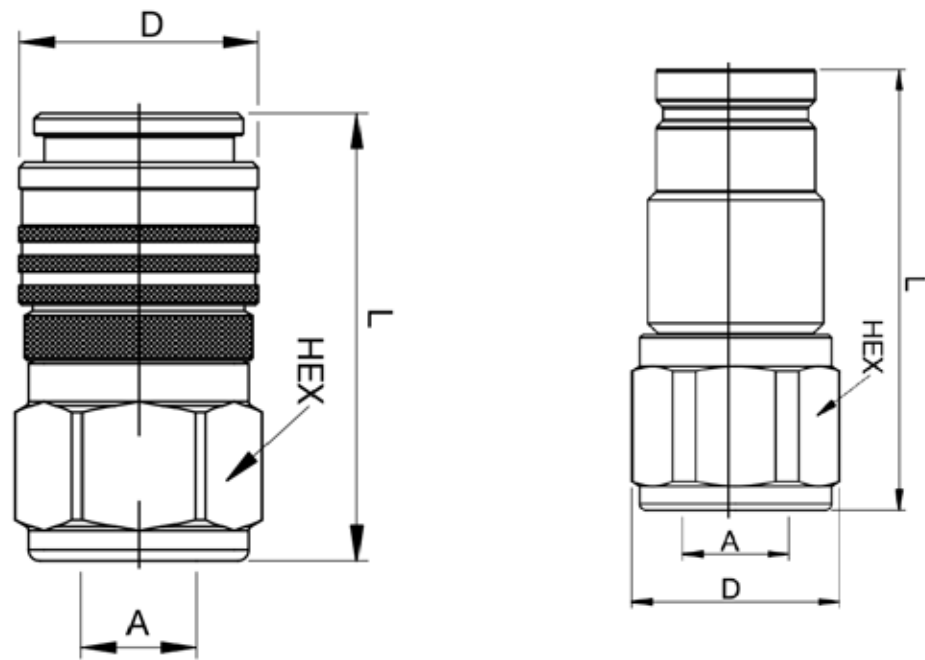


FlatFace-Couplings

This coupling has a drip-free design that reduces oil spills. The design also reduces the ingress of air and impurities.

Important coupling surfaces are easy to clean.

A coupling that suits the tough challenge and at the same time has an environmental benefit.



Art. no.	Size	Male/ Female	D (mm)	L (mm)	Hex (mm)	A	Working pres- sure (Bar)	Parker no.
647007	3/4"	Female	55	98	50	G 3/4	400	FF7510 C
647008	3/4"	Male	50	101	46	G 3/4	400	FF7520 C



Working temperature:
-30° C to 200° C

Maximum working pressure:
Op til 450 bar

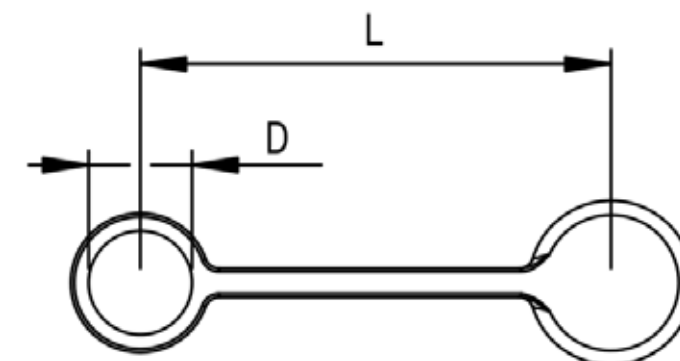
Packaging material:
NBR (Nitril rubber)



DUST CAPS



Art. no.	Size	Male/ Female	D (mm)	L (mm)	Materiale	Colour	Parker no.
734576	1/4"	Female	19	145	PVC	Blue	2516-QC
734573	1/4"	Male	19	145	PVC	Blue	2526-QC
647012	3/8"	Female	23	145	PVC	Blue	3826
647013	3/8"	Male	23	145	PVC	Blue	3816-QC
647010	1/2"	Female	28	170	PVC	Blue	5016-QC
647011	1/2"	Male	28	170	PVC	Blue	5026-QC
647014	3/4"	Female	33	195	PVC	Blue	7516-QC
647015	3/4"	Male	33	195	PVC	Blue	7526
647016	1"	Female	42	230	PVC	Blue	10016
647017	1"	Male	42	230	PVC	Blue	10026
647028	1 1/2"	Male	56	330	PVC	Black	15025
647029	1 1/2"	Female	56	330	PVC	Black	15015





Since the company was founded in 1968, BEVOLA has strived to supply quality products for HGVs, drawbar trailers and semi-trailers. Apart from our global procurement concept that now extends to over 6,500 item numbers, BEVOLA has its own R&D and production of a range of products and solutions for mounting on HGVs on the Nordic markets.

The products and solutions BEVOLA is renowned for include:

- BevoBox™ – high quality toolboxes in a huge range of variations
- BevoGrip™ – sand spreader, specially developed for the Nordic market
- BevoPlan™ – the perfect concept for better utilisation of the load bed
- BevoNac™ – a strong axle concept designed to ensure longer life, less maintenance and stable ride

PRODUKTER AND SOLUTIONS



BevoNac™ axles and brakes



BevoBox™ tool boxes & accessories



BevoGrip™ Sand spreaders & snow chains



Coupling devices



Bodywork components



Load securing, ADR & signs



Exteriors, interiors & exhaust



Hydraulics & fuel tanks



Aluminium



Light & electrical components



Pneumatics & brake components



Cranes & lifting gear

CONTACT BEVOLA

Our Customer Service and sales team are ready to help you find the products you need.

A/S BEVOLA
Huginsvej 22
4100 Ringsted, Denmark
Tel.: +45 57 66 00 00

verkauf@bevola.dk
www.bevola.com

