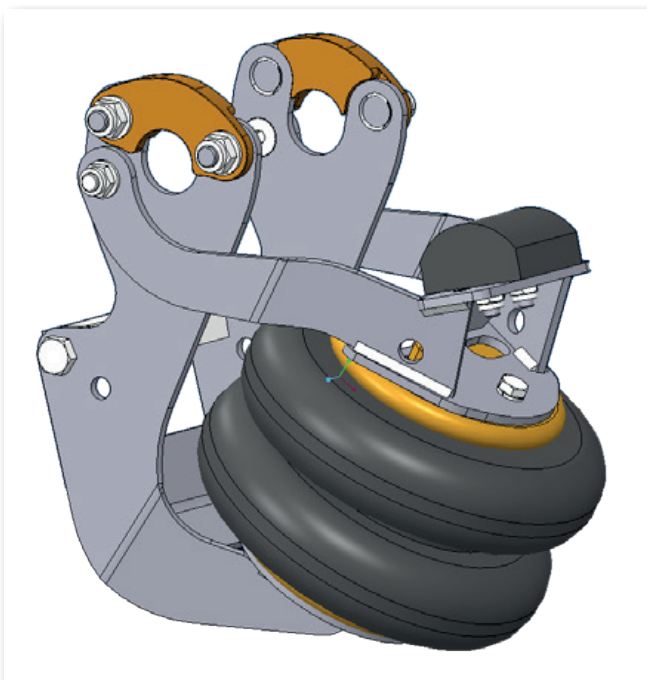


AXLE LIFT



■ **Item no. 032974**

Double side lift for CS ROR, BevoFlex

BEVOLIFT, DOUBLE AXLE LIFT

BEVOLA has developed its range of double side lifts to cover the most popular axle lifts on the market. Our lift systems have been tried and tested for over 20 years, and over the last 10 years we have used them as standard for our own BevoFlex axle lift.

The double side lift is quick and easy to retrofit – in most instances without having to disturb an existing axle lift, as it can be attached to the original spring bolt. Any tracking facility will therefore not be affected.

We can supply fully automatic axle lift valves to our wide range of axle lifts, controlled by the pressure of the lift's bellows.

In other words, the axle lift is active in the sense that the axle is raised and lowered automatically in response to pre-set bellows pressure. The valve can be supplied with pre-set pressures, which can also be adjusted retrospectively.

The lift valves on drawbar- and semi-trailers with two axle lifts can also be connected, so that both lifts are automatically controlled by bellow pressure.

The lift valves can be deactivated manually or from the cab via solenoid valves.



Item no. 032830
Double side lift for BPW SLM, SLO



Item no. 032832
Double side lift for BPW Airlight II



Item no. 032852
Double side lift for SAF Intradisc



Item no. 032854
Double side lift for SAF Module

Item no.	Accessories
037101	BevoLift valve set A for 300 mm bellows, tridem
037103	BevoLift valve set B for 300 mm bellows, boogie
037105	BevoLift valve set for lifting 2 axles, 300 mm bellows

A/S BEVOLA
Huginsvej 22
4100 Ringsted
Tel.+45 57 66 00 00

salg@bevola.dk
www.bevola.com