



 **BEVOLA**

OSRAM LED

LIGHTBARS, WORKING & REVERSING LIGHTS

5 YEAR
guarantee



OSRAM

WHY OSRAM?

OSRAM

LED LIGHTS

The OSRAM brand is probably best known in the home. The orange logo is easily recognisable and quality is high.

OSRAM is now launching full range of LED working and driving lights. BEVOLA has entered into partnership with OSRAM to market and stock the entire range.

To date, there are around 25 selected products. OSRAM believes in continuous development and renewal, and BEVOLA expects more new products in 2020.

The range consists of:

- Lightbars
- Working lights
- Reversing lights

5 YEAR guarantee

on all OSRAM lights
when you buy
at BEVOLA

Features:

- High quality
- Very high light output
- Low energy
- High IP rating
- DT connector on all lights (watertight)
- Reverse polarity protection
- Neoprene cable, flexible even in extreme cold
- Intelligent reflector (prevents dazzling oncoming traffic)
- Up to 635 metres beam length by 1 LUX
- 3 light patterns: Flood, Spot & Combo
- All EU approvals

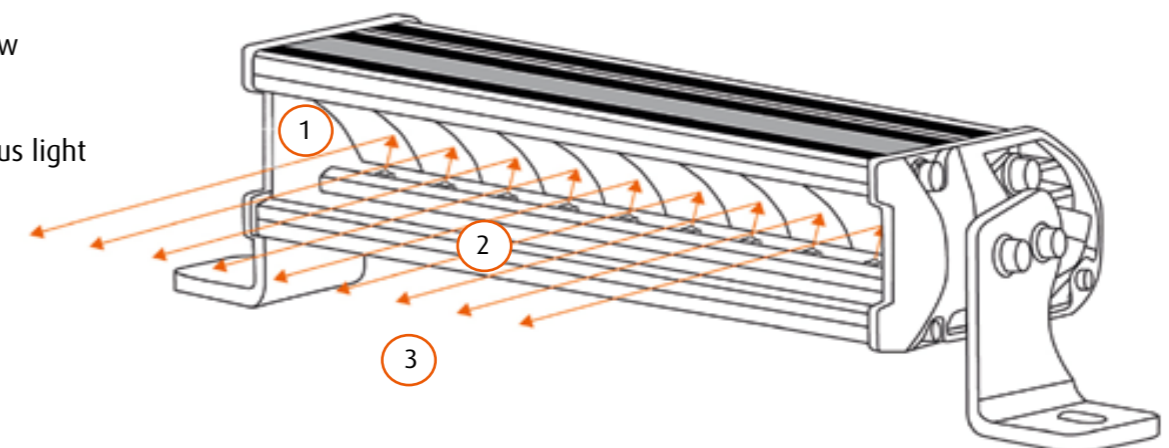
LED LIGHTS with the emphasis on quality, functionality, low energy and light output.

APPROVALS

- E4** E-marked
- E6** E-marked
- ECE R7** ECE R7
- ECE R10** ECE R10
- ECE R23** ECE R23
- ECE R112** ECE R112



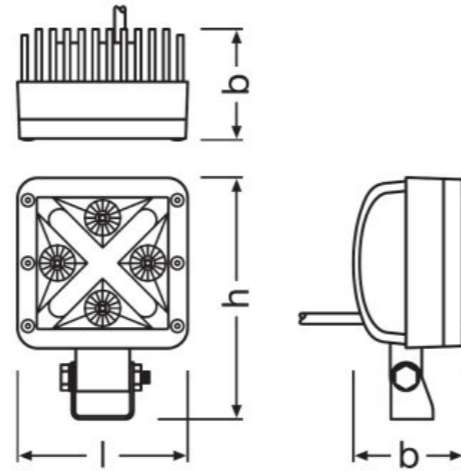
- 1 Free-form curved reflector concentrates and controls light for homogenous distribution
- 2 LEDs per row
- 3 Homogenous light



WORKING LIGHTS

INNOVATIVE DESIGN

CROSS LIGHT



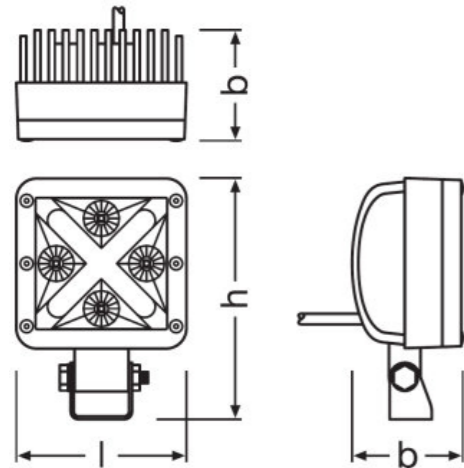
Item no. 432000

Specification

Lumen: 1250
 Voltage: 12V
 Light pattern: Spot
 IP: 67
 Wattage: 20
 Connection: Open end

Cable length: 300 mm
 Dimensions HxLxD: 85 x 121 x 57
 Light distance at 1 Lux: 110 m
 No. LEDs: 4/2
 Temp. range: -40°C - + 65°C
 Weight: 0,5 kg

APPROVALS



CROSS LIGHT



Item no. 432002

Specification

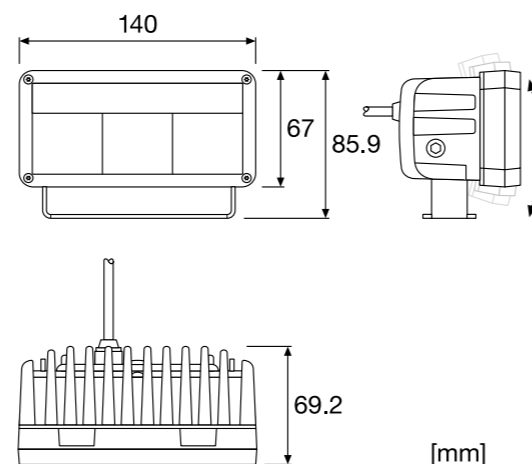
Lumen: 1250
 Voltage: 12V
 Light pattern: Flood
 IP: 67
 Wattage: 20
 Connection: Open end

Cable length: 300 mm
 Dimensions HxLxD: 85 x 121 x 57
 Light distance at 1 Lux: 55 m
 No. LEDs: 4/2
 Temp. range: -40°C - + 65 °C
 Weight: 0,6 kg

APPROVALS



POSITION LIGHT



Item no. 432004

Specification

Lumen: 2000
 Voltage: 12/24V
 Light pattern: Flood
 IP: 67
 Wattage: 30
 Connection: Deutsch

Cable length: 500 mm
 Dimensions HxLxD: 86 x 140 x 73
 Light distance at 1 Lux: 60 m
 No. LEDs: 3/1
 Temp. range: -40°C - + 65 °C
 Weight: 0,73 kg

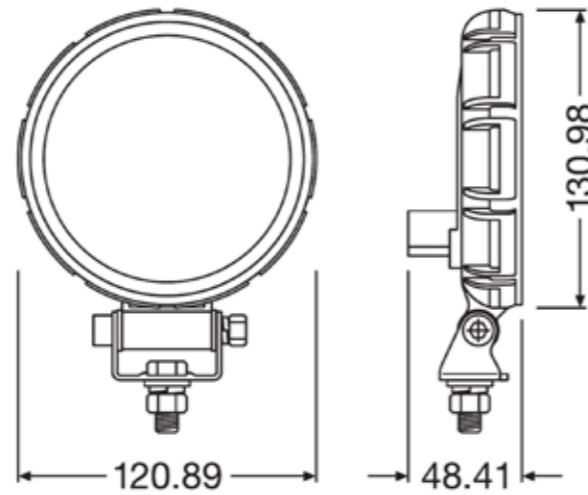
APPROVALS



REVERSING LIGHTS

HUGE LIGHT OUTPUT

THERMOPLASTIC HOUSING

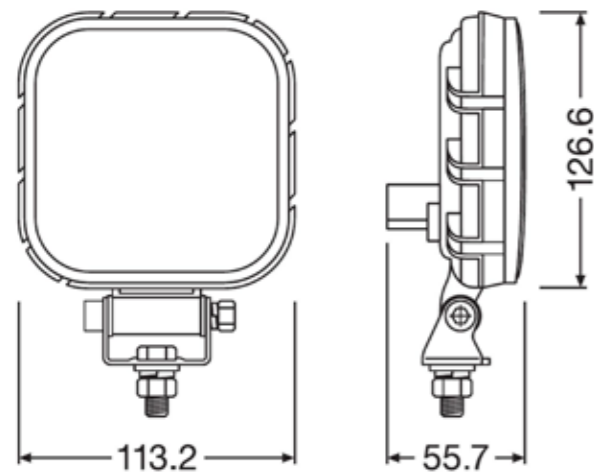


Item no. 432024

Specification

Lumen:	1100	Cable length:	-
Voltage:	12/24V	Dimensions HxLxD:	150 x 121 x 48
Light pattern:	Flood	Light distance at 1 Lux:	36 m
IP:	69	No. LEDs:	14
Wattage:	15	Temp. range:	-40°C - + 65°C
Connection:	Deutsch	Weight:	0,3 kg

APPROVALS



THERMOPLASTIC HOUSING



Item no. 432026

Specification

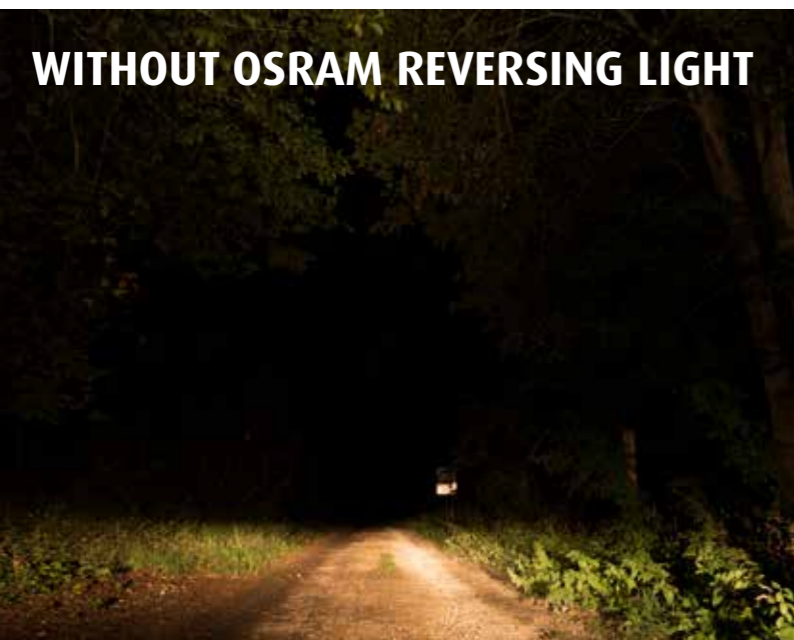
Lumen:	1100	Cable length:	-
Voltage:	12/24V	Dimensions HxLxD:	126 x 113 x 48
Light pattern:	Flood	Light distance at 1 Lux:	36 m
IP:	69	No. LEDs:	13
Wattage:	15	Temp. range:	-40°C - + 65 °C
Connection:	Deutsch	Weight:	0,3 kg

APPROVALS



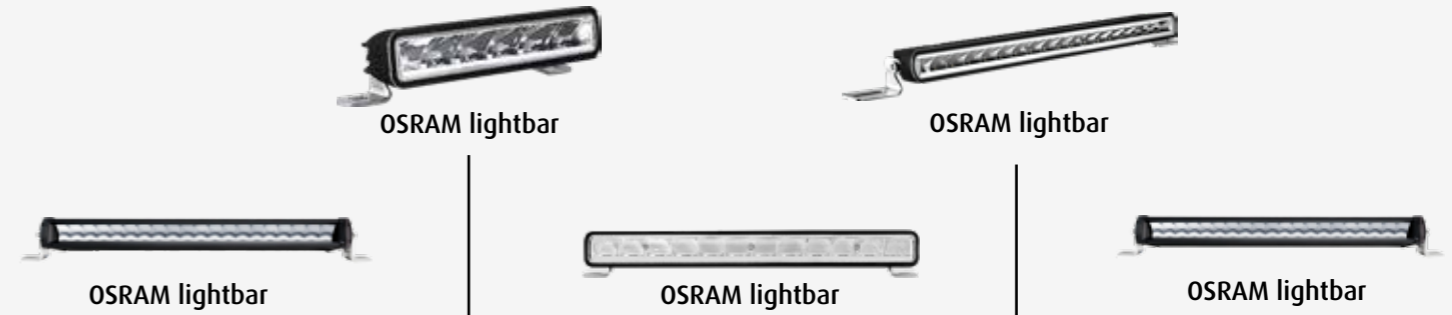
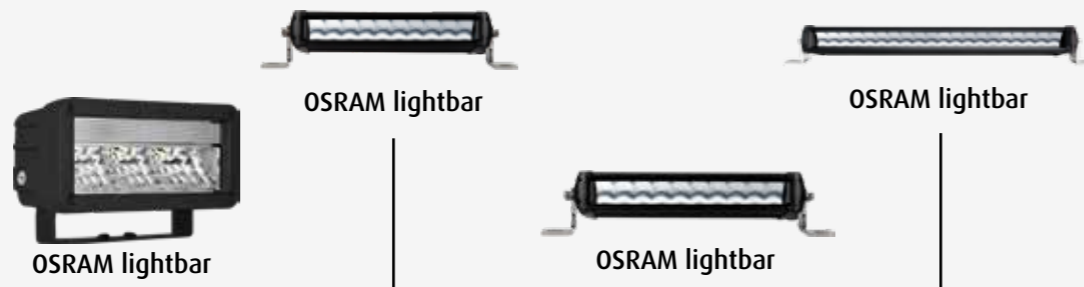
WITHOUT OSRAM REVERSING LIGHT

WITH OSRAM REVERSING LIGHT



LIGHTBARS

LOW ENERGY



Item no.	432006	432008	432010	432012
Lumen	2.000	2.700	2.700	3.500
Reference no.	10	37,5	27,5	35
Voltage	12/24 V	12/24 V	12/24 V	12/24 V
Light pattern	Spot	Spot	Combo	Spot
IP	IP67	IP69	IP69	IP69
Wattage	30W	30W	30W	35W
Connection	DT Connector	DT Connector	DT Connector	DT Connector
Cable length	500 mm	1.000 mm	1.000 mm	1.000 mm
Dimensions	H 86 mm L 140 mm D 73 mm	H 77 mm L 400 mm D 94 mm	H 77 mm L 400 mm D 94 mm	H 77 mm L 655 mm D 94 mm
No. LEDs	3/1	10	10	20
Temp. range	-40 til +65°C	-40 til +65°C	-40 til +65°C	-40 til +65°C
Weight	0,73 kg	1,2 kg	1,2 kg	2,1 kg
Light distance at 1 Lux	200 m	360 m	360 m	450 m
Remarks	Position light			
Approvals				

Item no.	432014	432016	432018	432020	432022
Lumen	5.500	1.300	2.600	3.900	5.500
Reference no.	70	10	20	30	25+25
Voltage	12/24 V	12/24 V	12/24 V	12/24 V	12/24 V
Light pattern	Combo	Spot	Spot	Spot	Combo
IP	IP69	IP69	IP69	IP69	IP69
Wattage	70W	15W	30W	45W	70W
Connection	DT Connector	DT Connector	DT Connector	DT Connector	DT Connector
Cable length	1.000 mm	450 mm	450 mm	450 m	1.000 mm
Dimensions	H 77 mm L 655 mm D 94 mm	H 38 mm L 182 mm D 62 mm	H 38 mm L 350 mm D 62 mm	H 38 mm L 556 mm D 62 mm	H 38 mm L 556 mm D 62 mm
No. LEDs	20	6	12	18	20
Temp. range	-40 til +65°C	-40 til +65°C	-40 til +65°C	-40 til +65°C	-40 til +65°C
Weight	2,1 kg	0,44 kg	0,7 kg	1,1 kg	2,1 kg
Light distance at 1 Lux	540 m	718 m	341 m	523 m	837 m
Remarks		Ultra slim	Ultra slim	Ultra slim	Approved for 2 lights
Approvals					

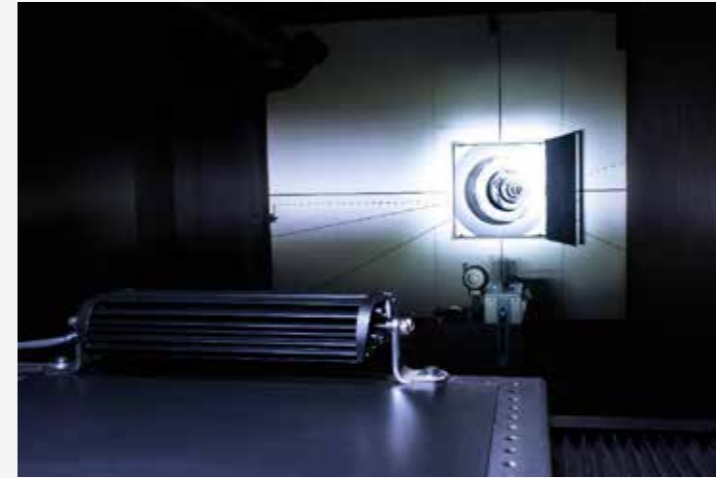
LIGHTBARS

TESTED ACCORDING TO EU REGULATIONS



Item no.	432028	432030	432032	432034	432036
Lumen	2.700	3.000	3.500	4.000	8.000
Refernce no	30	25	50	50	45+45
Voltage	12/24 V	12/24 V	12/24 V	12/24 V	12/24 V
Light pattern	Combo	Combo	Combo	Combo	Combo
IP	IP69	IP69	IP69	IP69	IP69
Wattage	47/1W	39/1W	60/2,5W	70/1,5W	140W
Connection	DT Connector	DT Connector	DT Connector	DT Connector	DT Connector
Cable length	1.000 mm	0 mm	0 mm	0 mm	0 mm
Dimensions	H 54 mm L 390 mm D 86 mm	H 201 mm L 126 mm D 176 mm	H 150 mm L 261 mm D 251 mm	H 134 mm L 169 mm D 241 mm	H 49 mm L 1.074 mm D 83 mm
No. LEDs	10/26	6/12	10/36	10/16	40
Temp. range	-40 til +65°C	-40 til +65°C	-40 til +65°C	-40 til +65°C	-40 til +65°C
Weight	-	-	-	-	-
Light distance at 1 Lux	320 m	300 m	350 m	430 m	635 m
Remarks	Position light	Position light	Position light	Position light	Approved for 2 lights
Approvals					

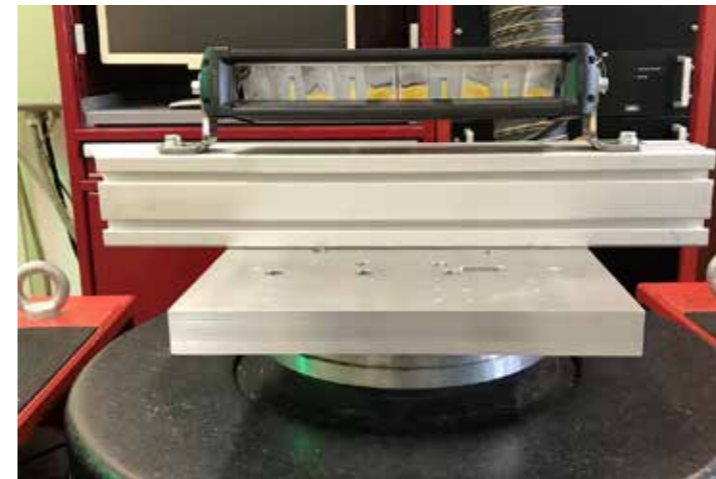
Goniometer (for precise angle)



Corrosion (salt water)



Vibration (WBR, chok & and flying gravel)



Water- & dirt-resistant (IP67/IP69)



Climate (hot/warmth)



Climate (cold/sub-zero)



Since the company was founded in 1968, BEVOLA has strived to supply quality products for HGVs, drawbar trailers and semi-trailers. Apart from our global procurement concept that now extends to over 6,500 item numbers, BEVOLA has its own R&D and production of a range of products and solutions for mounting on HGVs on the Nordic markets.

The products and solutions BEVOLA is renowned for include:

- BevoBox – high quality toolboxes in a huge range of variations
- BevoGrip – sand spreader, specially developed for the Nordic market
- BevoPlan – the perfect concept for better utilisation of the load bed
- BevoNac – a strong axle concept designed to ensure longer life, less maintenance and stable ride

PRODUKTER AND SOLUTIONS



BevoNac axles and brakes



BevoBox tool boxes & accessories



Sand spreaders & snow chains



Coupling devices



Bodywork components



Load securing, ADR & signs



Exteriors, interiors & exhaust



Hydraulics & fuel tanks



Aluminium



Light & electrical components



Pneumatics & brake components



Cranes & lifting gear

CONTACT BEVOLA

Our Customer Service and sales team are ready to help you find the lights you need.

A/S BEVOLA
Huginsvej 22
4100 Ringsted, Denmark
Tel.: +45 57 66 00 00

verkauf@bevola.dk
www.bevola.com

